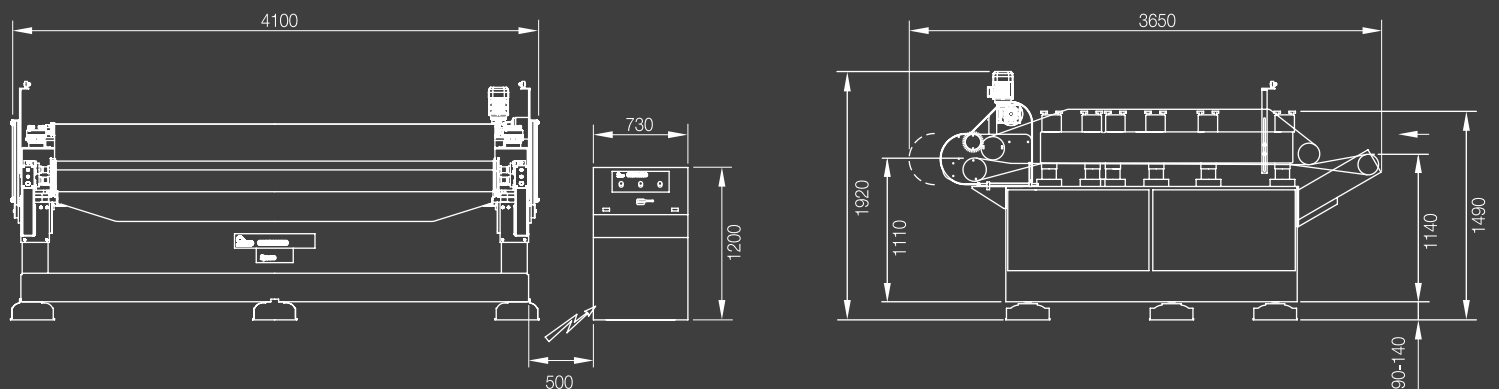


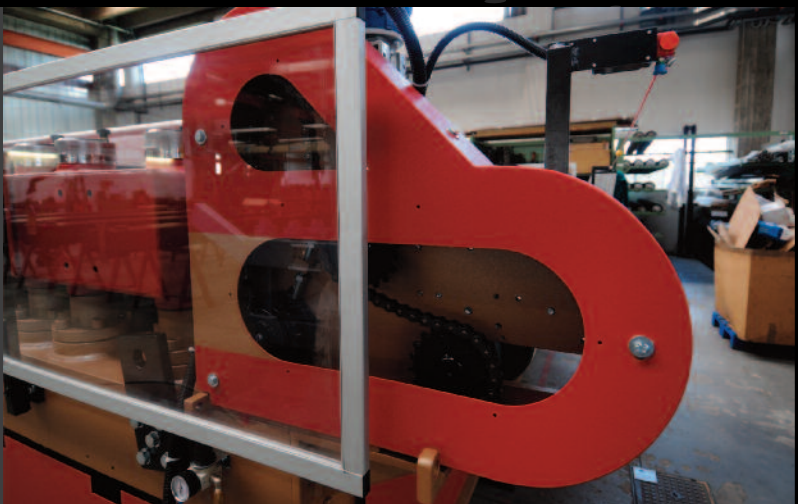


# 3H

The 3 heads staking machine: ideal for your needs

- Available in 2 options:
  - automatic: automatic head's pressure adjustment
  - manual: manual heads pressure adjustment
- Working width 3.400 mm:  
From 1.600 to 3.400 mm
- Two beating jaws and three heads
- Suitable for all type of leather



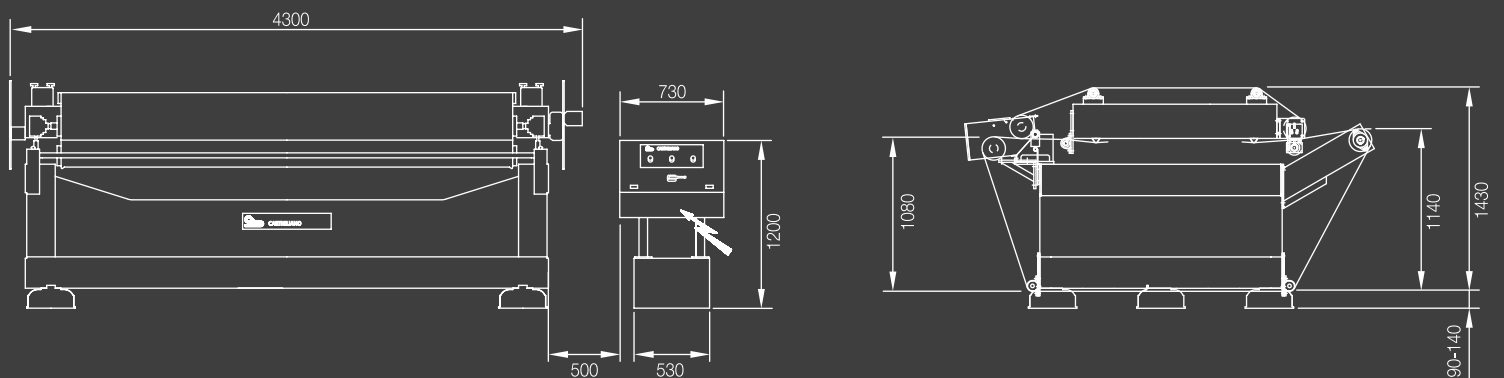


# K

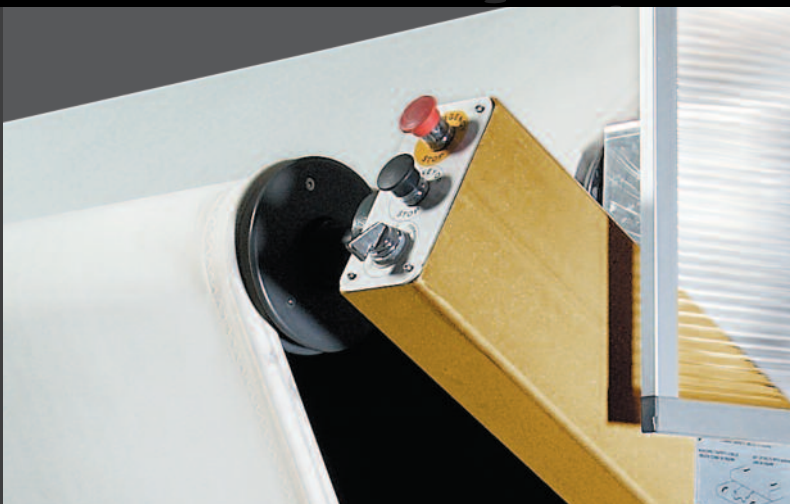
## Staktreking

Cartigliano's quality for lighter substances

- Technology, based on a medium-high vibration frequency
- Minimum maintenance required
- 3 Heads
- Manual adjustment head's pressure
- Working width: 3.400 mm



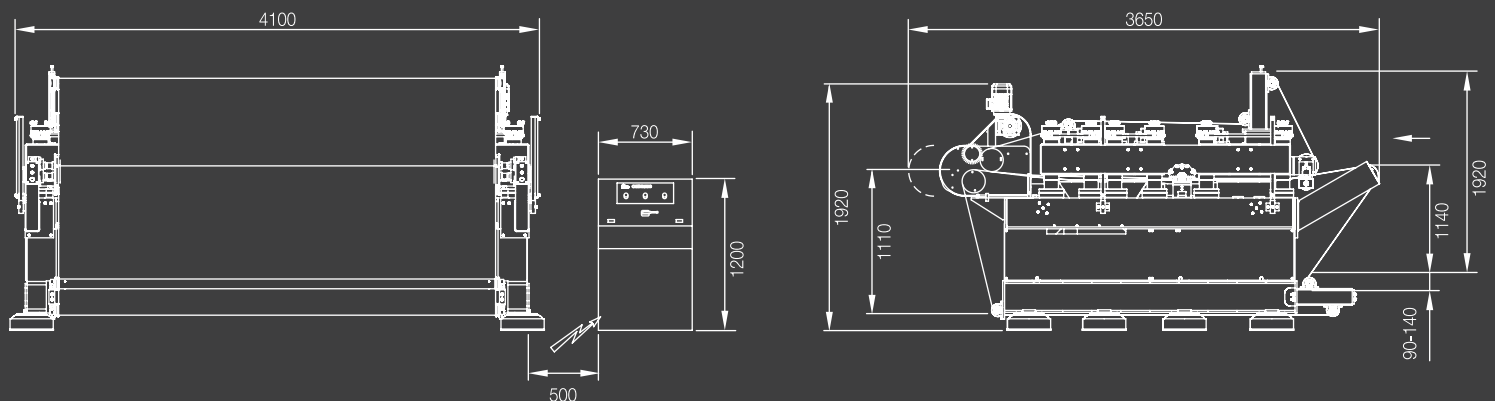
روبه

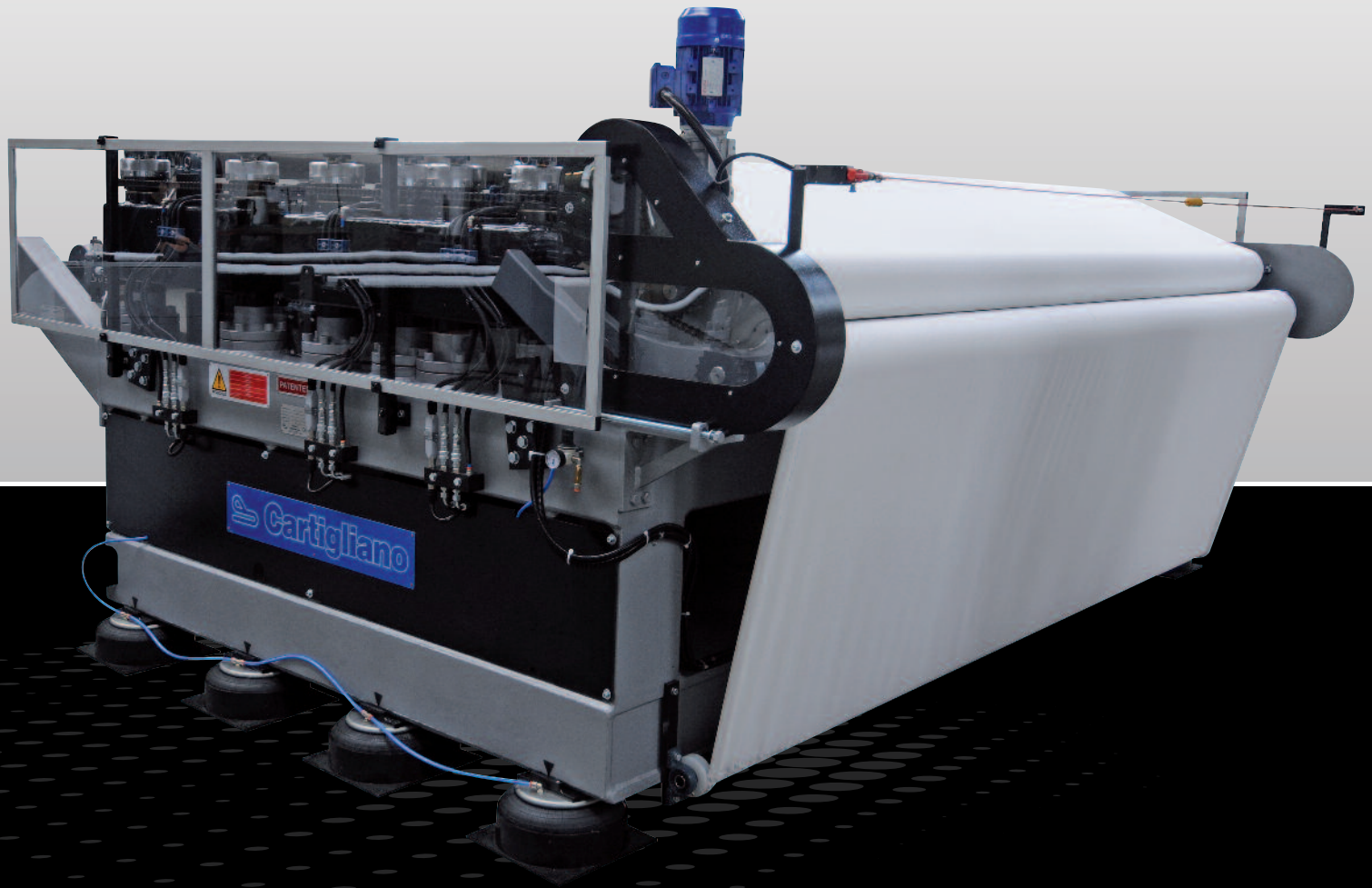


# Wet Stretching

## Cartigliano's staking machine for the wet leather

- The W.S. opens the hides homogeneously and constantly, also equalizes the thickness of the leather after sammying setting out machine
- The leather is equally open in all its points from the centre towards the extremities
- Open the fiber for help the water to exit during the dryng process
- Allow to achieve a very uniform termo fixation of the leather in the vaccum dryer
- Legs are perfectly open too
- There is only the shape where once there were the fat wrinkles
- Prepares the hides completely opened, perfectly flat for a quicker and equal drying
- Plc for automatic regulation of the pressure
- Two beating jaws and three heads
- Special belt (waterproof)





# Wettreking

Cartigliano's quality for lighter substances

- Technology, based on a medium-high vibration frequency
- Minimum maintenance required
- 3 Heads
- Manual adjustment head's pressure
- Working width: 3.400 mm

